

 DEL MEDICAL

# CTM2020

## CEILING TUBE MOUNT

A flexible overhead tube support featuring a compact, slim design complete with motorized vertical travel, minimizing operator fatigue. Combine with a table and wall bucky for an affordable imaging system capable of all general purpose radiographic procedures.

### Product Features

- Servo-linked tube support to wall bucky for accurate alignment
- Servo-linked tube support to table for accurate distance
- Dual release and single release buttons for positioning ease
- Easy to read digital display readout



**DEL MEDICAL**

*Eighty* Years of Excellence

**DEL MEDICAL**

# CTM2020 Radiographic Systems



## PRECISION for optimal imaging

A Del Medical CTM2020 Ceiling Tube Mount System is designed to facilitate a wide range of radiographic procedures. This simple to use, ceiling mounted tube support features motorized vertical travel with servo-linked tube support to both a wall bucky and table ensuring accurate alignment. The CTM2020 system can be configured with 300,000, 400,000 or 600,000 HU x-ray tubes and either manual or automatic collimators.

## SIMPLICITY for improved productivity

The CTM2020 Ceiling Tube Mount combined with the Del Medical EV650 Elevating, Four-Way Float Top table provides you a versatile system that offers the ruggedness and longevity you need for your busy department. In addition to the EV650's smooth, quick and accurate patient positioning, these additional features contribute to patient and technologist safety and comfort.

- Vertical rack and pinion motor drive for smooth and quiet operation
- 650 lb. (295 kg) patient weight capacity
- High strength contoured table
- Integral collision sensors
- Hands free table elevation with angled and recessed foot treadles



*Fast, efficient and operator-friendly workflow.*



Choose the economical RT100 Four-Way Float Top Table with a precision roller bearing system that allows for effortless patient positioning, designed to support patients up to 500 lb. (227 kg). Once in position, the top is securely held in place by electric locks. The foot treadle electric lock release runs the entire length of the pedestal for operator convenience.





## INCREASE FLEXIBILITY for all clinical applications

Supplement the versatility of your CTM2020 system even further by adding the Del Medical VS200 Vertical Wall Stand to accommodate a wide range of upright exams from skull to ankle. This counter-balanced wall stand allows for smooth, vibration-free vertical movement with long-lasting quality and durability. The slender column design with concealed cabling contributes to the professional appearance. Available with 17" x 17" (43 cm x 43 cm) grid cabinet or bucky and manual or automatic size sensing tray.



## POWERED for your needs

Del Medical's ANTHEM, IN and CM Series of high frequency generators feature a vast range of available configurations with ranges of 400 mA to 1,000 mA output and kVp of 125 or 150. The ANTHEM generator simplifies operation with exclusive features such as 10-15 minute calibration, integrated power supply and the ability to update APR by SD card or PC. Total customization is possible with available options like AEC interface and digitally upgradeable generators.



## Take the Next Step to Digital with **DELWORKS DR** MEDICAL

You can combine all the functionality and patient positioning benefits of the Del Medical CTM2020 Radiographic System with the advantages of digital imaging technology. Del Medical's DelWorks



Digital Upgrade lets you add the power of today's flat panel detector technology and advanced image processing software giving you fast, high resolution image acquisition combined with user-friendly image processing software and all DICOM functionality. Now or in the future, your investment is protected with the ability to upgrade to digital as your needs change. For more information on Del Medical's DelWorks Medical DR retrofit package, call 800-800-6006 or contact your local authorized Del Medical dealer.

## CUSTOMIZE with accessories

Optional accessories are also available to help you meet your needs. These can include a compression band, lateral cassette holder, shoulder/ head restraint and an adjustable overhead-mounted wall stand patient hand grip for added patient comfort and safety.





# CTM2020 Ceiling Tube Mount

## Product Specifications

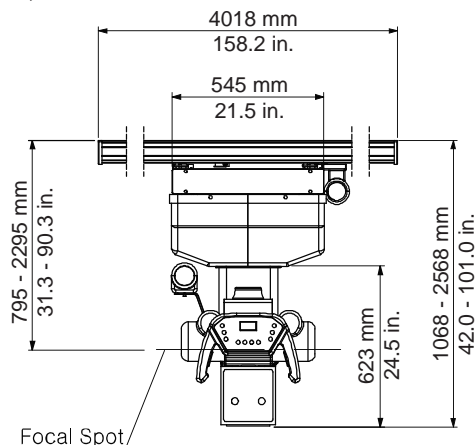
- Manual movement for X,Y axis, Motorized for Z axis
- Longitudinal travel range: 130" (3300mm)
- Transverse travel range: 88.5" (2250 mm)
- Vertical travel range: 59" (1500 mm)
- Vertical tube rotation: +/- 360°
- Horizontal tube rotation: -90°, +180°,  
detents at -90°, 0, +90°
- All locks: Electromagnetic
- X-ray tube housing mount: 3" (75 mm) or 4" (100 mm)
- Transverse bridge length: 9'10"
- Longitudinal rail length: 13'2"

## Environmental Specifications

- Electrical connection: 3 conductor with  
Protective Earth Ground
- Operating temperature range: 41°F~95°F (5°C~35°C)
- Relative humidity range: 10~75%
- Relative pressure: 700 hPa~1060 hPa

## Product Options:

- X-Ray tube
- Collimator
- HV Cables, 60' standard



## Weight

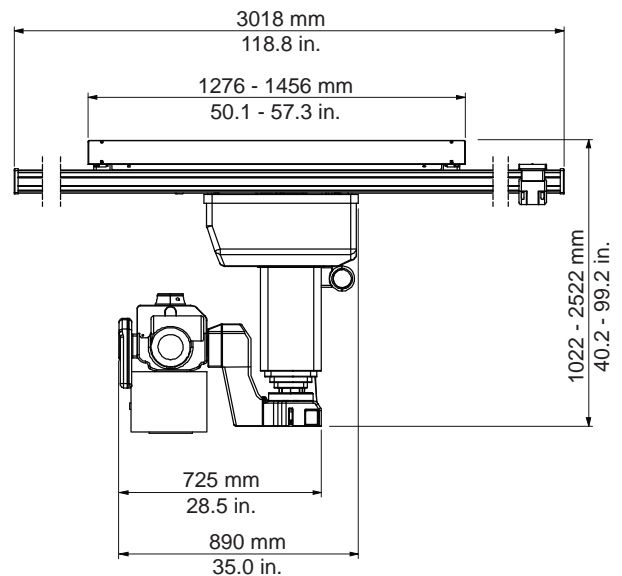
- 780 lbs. (354 kg) with tube & collimator

## Power Requirements

- 110/240 Vac. 50/60 Hz, 700 VA

## Product Options:

- 300kHU, 400kHU or 600kHU 0.6-1.2mm, X-ray tube
- Collimator (Ralco manual or Ralco automatic)



Del Medical is an ISO 13485 & ISO9001 Certified Facility.  
Specifications are subject to change without notice.

## DEL MEDICAL

Toll Free: (800) 800-6006  
Fax: (847) 288-7011  
Email: [info@delmedical.com](mailto:info@delmedical.com)  
[www.delmedical.com](http://www.delmedical.com)  
50 N. Gary Ave., Suite B, Roselle, IL 60172

## UMG Medical Imaging

Toll Free: (800) 261-9808  
Fax: (914) 835-6111  
Email: [info@umgxray.com](mailto:info@umgxray.com)  
[www.umgxray.com](http://www.umgxray.com)  
28 Calvert Street, Harrison, NY 10528